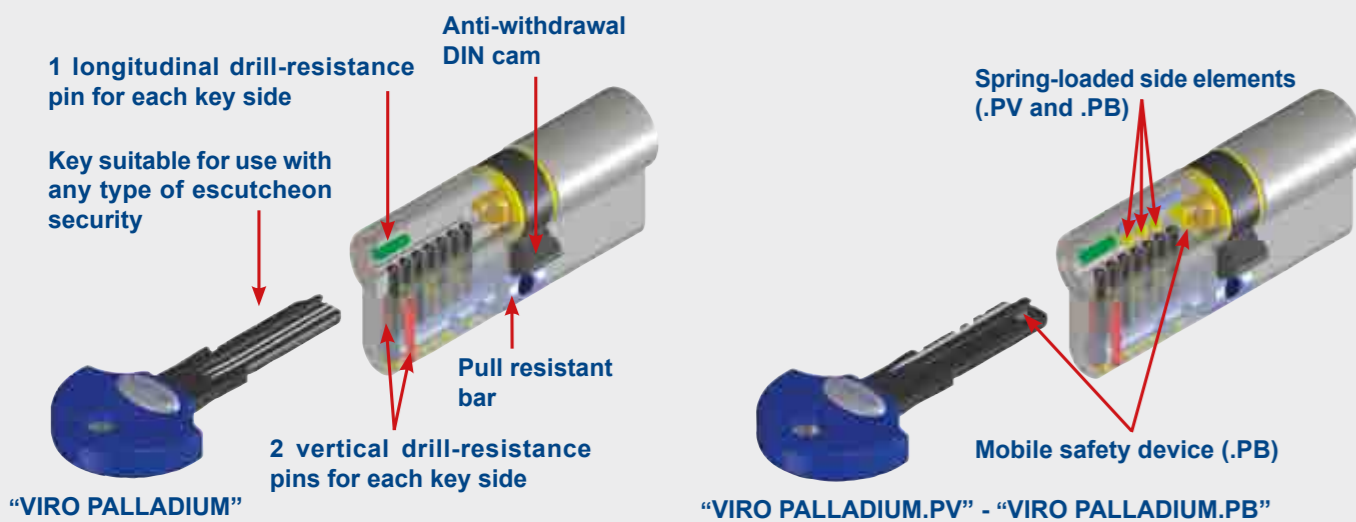


Viro[®] PALLADIUM

MECHANISM

DOUBLE CYLINDERS

- cylinders with double entry function to permit independent action of the keys on the cam, even when the key is inserted on the opposite side. On request without double entry function;
- DIN 30° cam. On request versions with adjustable cam;
- tempered, AISI 420C inox stainless steel pins;
- alternate counterpins: 4 tempered AISI 420C inox stainless steel, 3 mushroom brass pick-resistant;
- shaped and spring-loaded brass side elements in the "Viro Palladium.PV" and "Viro Palladium.PB" versions;
- mobile safety device in the "Viro Palladium.PB" version;
- inox stainless steel pin and side elements springs;
- brass retaining rings.



THUMB TURN CYLINDERS

- long tang (when inserted), brass, 80 mm long, break-off as required, fitted for fixing, with supplied grub screw, inserted in all Viro thumb turn models;
- DIN 30° cam. On request versions with adjustable cam.

HALF CYLINDERS

- DIN 30° cam. On request versions with adjustable cam.



PERSONALIZED METAL BOX

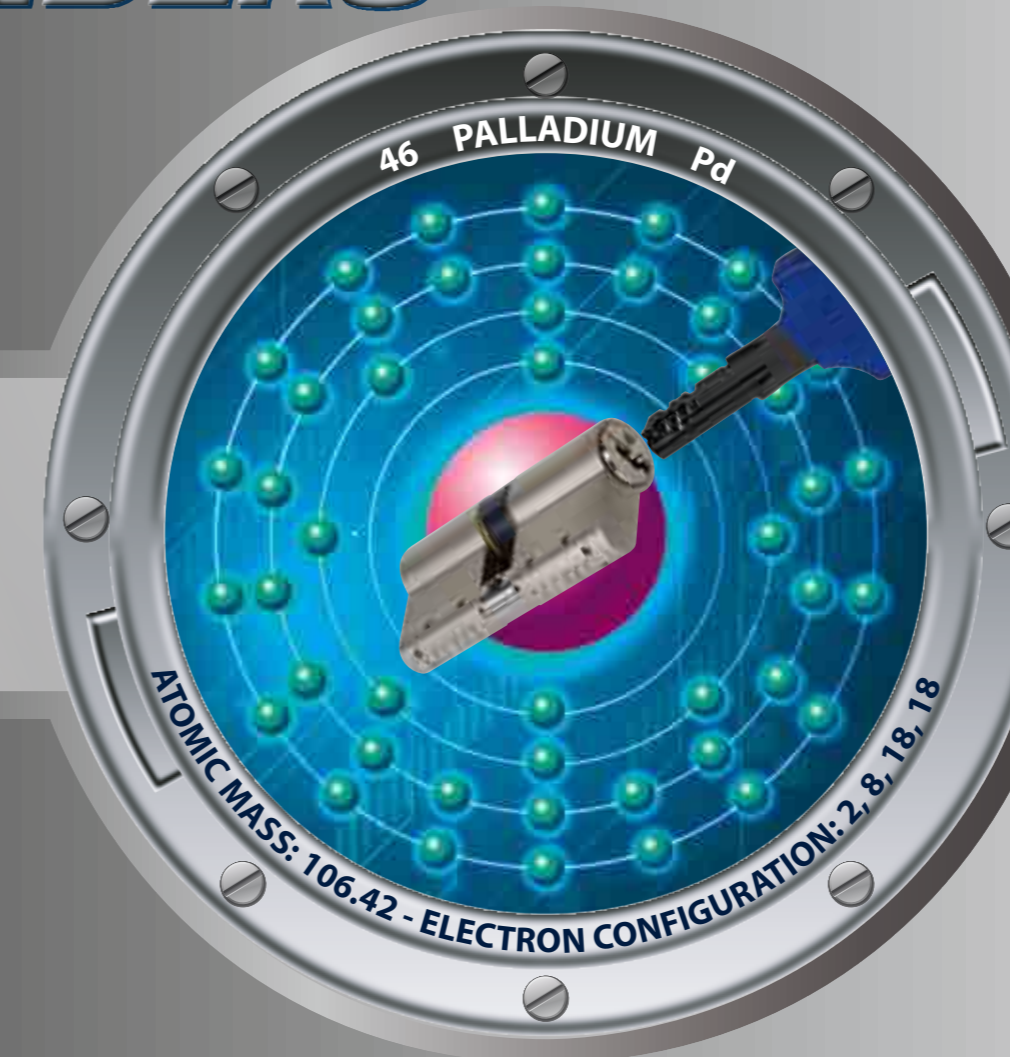
Viro[®] S.p.A.

Via Garibaldi 4 - 40069 ZOLA PREDOSA (BO) ITALY
Tel. +39.051.6176511 - Fax. +39.051.755079

www.viro.it
viro@viro.it

Viro[®] PALLADIUM

HIGH SECURITY CYLINDERS



PATENTED

MADE IN ITALY

Viro[®] PALLADIUM



RANGE

DOUBLE CYLINDERS

Exclusive "Made in Italy" cylinders, protected by drill-resistant pins on the body and the plug, with pull-resistant inox stainless steel bar that firmly joins the two sides of the cylinder. The construction technology offers an extremely wide range of available sizes and possible variations.

Body: solid extruded brass, modular, satin nickel finish.

Pull-resistant bar: AISI304 inox stainless steel Ø 6 mm.

Drill-resistant pins: 2 vertical and 1 longitudinal case-hardened steel pins on each key side.

Plug:

- brass, 7 pins in the "Viro Palladium" version;
- brass, 7 pins and 3 side elements in the "Viro Palladium.PV" version;
- brass, 7 pins, 3 side elements and mobile device in the "Viro Palladium.PB" version.

THUMB TURN CYLINDERS

The versions with thumb turn combine the security characteristics of the "Viro Palladium" double cylinders with the practicality of replacing thumb turn that can be fixed either on the cylinder tang (standard or long) or on the extension item 3989.



Thumb turn: satin, nickel-plated aluminium (item 740.0850.2.009), removable and replaceable, easy to grip, with rounded edges and sizes suitable to control the cylinder mechanism without forcing, also by using the maximum distance of the long tang or of the extension for thumb.

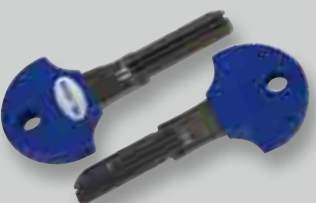
HALF CYLINDERS

The half cylinder versions maintain all the security characteristics of the "Viro Palladium" double cylinders, completing the range and offering numerous applications (e.g. "New Condor", "Universal Spranga", 304.MC and 4117.MC padlocks, roller shutter and up and over door locks designed for profile cylinders, etc.).

On request: kit for the use of half cylinder thumb turn (length as required) item 880.30.10.K.09.



Cod. 58020460314015 - 03/2014 VIRO S.p.A. These models are not binding and can be changed without notice.



Viro® PALLADIUM

KEYS

● BURNISHED PALLADIUM FINISH

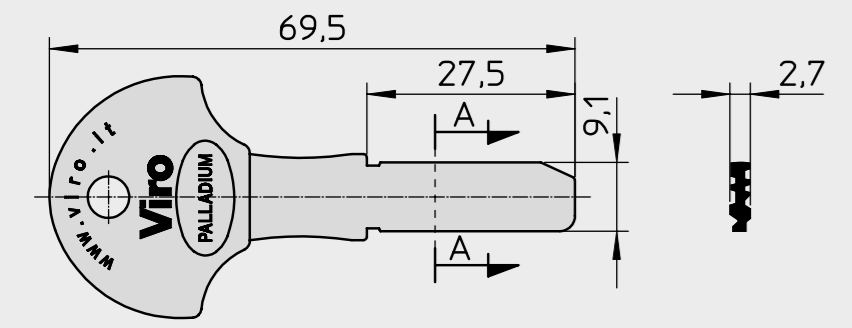
Innovative punched key (allowing numerous keying possibilities), also in form trademark protected version .PV with side keying and in patented version with side keying and mobile device .PB.



- Keys:**
- copper and nickel-plated brass, coated with burnished palladium (wear and corrosion highly resistant precious metal);
 - punched (don't ruin your pockets);
 - side keying in the version protected by "Viro Palladium.PV" form trademark;
 - side keying and mobile device in the "Viro Palladium.PB" patented version;
 - shank length suitable for almost any type of escutcheon;
 - coated with non-slip nylon grip, with support showing the "Viro Palladium" name and identifying, by touch, the side of the key to be inserted; the support can be personalised with the customer's name, for bulk purchases;
 - 3 supplied in a sealed envelope.
 - on request reserved profiles for specialists.

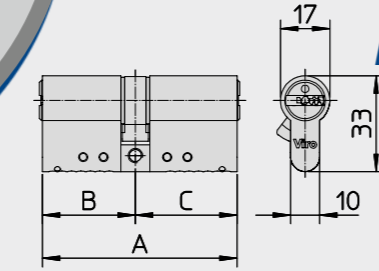
Coded ownership card (key code):

- can be used to request duplicate keys to Viro for the "Viro Palladium" version;
- necessary, with an original key, to obtain duplicates from a Viro Authorized Centre, for the "Viro Palladium.PV" version;
- necessary for the retailer to request duplicates from Viro, for the "Viro Palladium.PB" version.



Key suitable for use with any type of escutcheon security

Mobile safety device (.PB)



DOUBLE CYLINDERS

● 835 RANGE

Sizes available:

ITEM No.	Total length mm A	Cam position mm B - C	Pins No.	Keys Item No.	Unit weight g	Pcs. per pack No.
835 RANGE						
835.32.32.09	64	32 - 32	7	065	280	1
835.32.35.09	67	32 - 35	7	065	300	1
835.32.40.09	72	32 - 40	7	065	320	1
835.32.50.09	82	32 - 50	7	065	360	1
835.35.35.09	70	35 - 35	7	065	310	1
835.35.45.09	80	35 - 45	7	065	350	1
835.40.40.09	80	40 - 40	7	065	350	1
835.40.50.09	90	40 - 50	7	065	400	1
835.45.45.09	90	45 - 45	7	065	400	1

Sizes on request for minimum orders 5 pcs.:

ITEM No.	Total length mm A	Cam position mm B - C	Pins No.	Keys Item No.	Unit weight g	Pcs. per pack No.
835 RANGE						
835.32.45.09	77	32 - 45	7	065	340	1
835.32.60.09	92	32 - 60	7	065	400	1
835.32.65.09	97	32 - 65	7	065	430	1
835.32.70.09	102	32 - 70	7	065	450	1
835.35.40.09	75	35 - 40	7	065	330	1
835.35.50.09	85	35 - 50	7	065	370	1
835.35.55.09	90	35 - 55	7	065	400	1
835.35.60.09	95	35 - 60	7	065	420	1
835.35.70.09	105	35 - 70	7	065	460	1
835.40.45.09	85	40 - 45	7	065	370	1
835.40.55.09	95	40 - 55	7	065	420	1
835.40.60.09	100	40 - 60	7	065	440	1
835.40.70.09	110	40 - 70	7	065	480	1
835.50.50.09	100	50 - 50	7	065	440	1
835.50.55.09	105	50 - 55	7	065	460	1
835.50.60.09	110	50 - 60	7	065	480	1
835.50.70.09	120	50 - 70	7	065	530	1
835.60.60.09	120	60 - 60	7	065	530	1
835.60.70.09	130	60 - 70	7	065	570	1
835.70.70.09	140	70 - 70	7	065	600	1

A B C

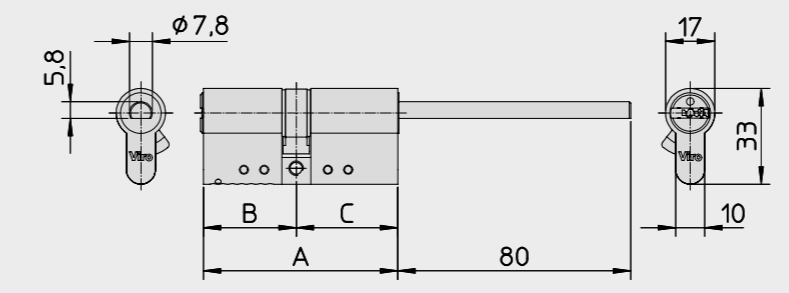
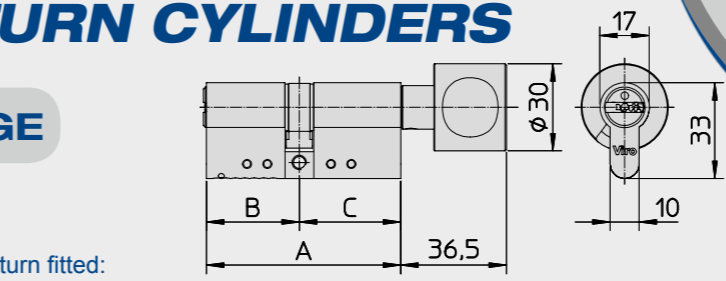
Viro® PALLADIUM

THUMB TURN CYLINDERS

● 855 RANGE

Sizes available with thumb turn fitted:

ITEM No.	Total length mm A	Cam position mm B - C	Pins No.	Keys Item No.	Unit weight g	Pcs. per pack No.
855 RANGE						
855.32.32.09	64	32 - 32	7	065	330	1
855.32.40.09	72	32 - 40	7	065	370	1
855.35.35.09	70	35 - 35	7	065	360	1
855.40.40.09	80	40 - 40	7	065	400	1

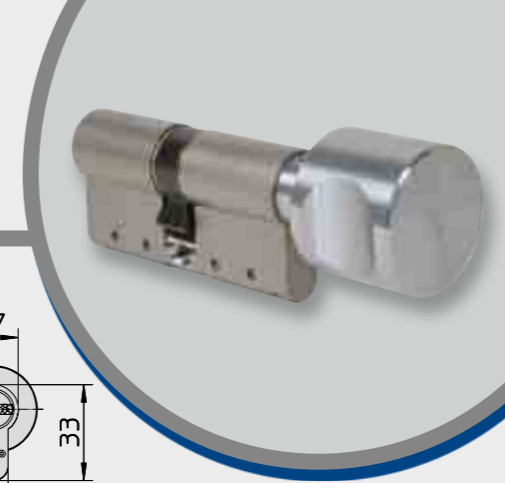


Sizes available with long break-off tang, designed for thumb turn fixing:

ITEM No.	Total length mm A	Cam position mm B - C	Pins No.	Keys Item No.	Unit weight g	Pcs. per pack No.
855 RANGE						
W.855.32.32.09	64	32 - 32	7	065	310	1
W.855.35.32.09	67	35 - 32	7	065	330	1
W.855.40.32.09	72	40 - 32	7	065	350	1

Sizes on request for minimum orders 5 pcs. with long break-off tang, designed for thumb turn fixing:

ITEM No.	Total length mm A	Cam position mm B - C	Pins No.	Keys Item No.	Unit weight g	Pcs. per pack No.
855 RANGE						
W.855.45.32.09	77	45 - 32	7	065	370	1
W.855.50.32.09	82	50 - 32	7	065	390	1
W.855.55.32.09	87	55 - 32	7	065	410	1
W.855.60.32.09	92	60 - 32	7	065	430	1
W.855.65.32.09	97	65 - 32	7	065	460	1
W.855.70.32.09	102	70 - 32	7	065	480	1



Viro® PALLADIUM

HALF CYLINDERS

● 880 RANGE

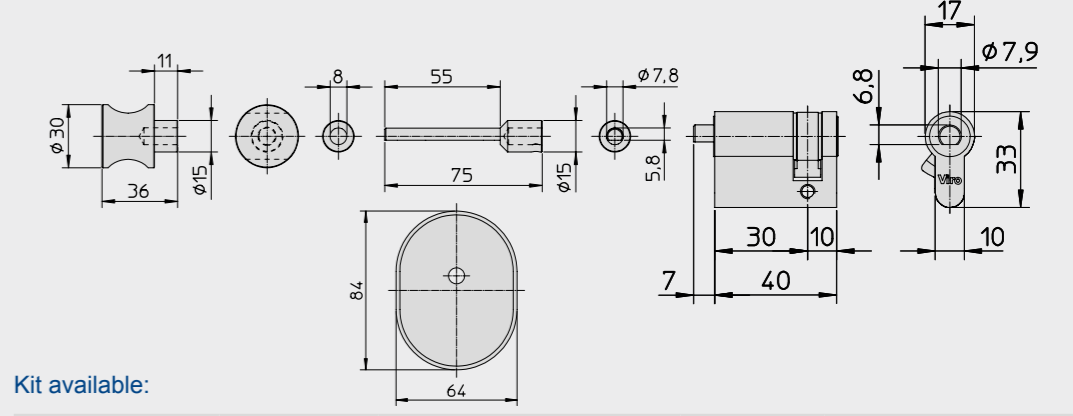
Sizes available:

ITEM No.	Total length mm A	Cam position mm B - C	Pins No.	Keys Item No.	Unit weight g	Pcs. per pack No.
880 RANGE						
880.30.10.09	40	30 - 10	7	065	180	1
880.35.10.09	45	35 - 10	7	065	200	1
880.40.10.09	50	40 - 10	7	065	220	1

● Half cylinder without pull-resistant bar, especially suitable for "New Condoor" item 1.4218 and for padlocks suitable for half cylinder item 304.MC and item 4117.MC.

Sizes on request for minimum orders 5 pcs.:

ITEM No.	Total length mm A	Cam position mm B - C	Pins No.	Keys Item No.	Unit weight g	Pcs. per pack No.
880 RANGE						
880.45.10.09	55	45 - 10	7	065	240	1
880.50.10.09	60	50 - 10	7	065	260	1
880.55.10.09	65	55 - 10	7	065	280	1
880.60.10.09	70	60 - 10	7	065	310	1
880.70.10.09	80	70 - 10	7	065	340	1



Kit available:

ITEM No.	Total length mm A	Cam position mm B - C	Pins No.	Keys Item No.	Unit weight g	Pcs. per pack No.
880 RANGE						
880.30.10.K.09	40	30 - 10	7	065	200	1

Kit for the use of thumb turn half cylinder (length as required) consisting of: half cylinder with standard tang; chrome-plated steel extension (item 3989), supplied with fixing grub screw, for thumb turn side extension, break-off as required and designed for thumb turn fixing with grub screw inserted; round satin nickel aluminium thumb turn (item 740.0850.2.009); escutcheon (item 855.0065), similar finish to the cylinder, designed for the thumb turn extension.

D