

Bedienungsanleitung | User Guide | Guide d'utilisation
Istruzione d'uso | Manual de uso | Bedieningshandleiding

Elektronischer Zylinder | Electronic cylinder | Cylindre électronique
Cilindro elettronico | Cilindro electrónico | Elektronische cilinder



Technische Änderungen/Abweichungen und Druckfehler vorbehalten. Das Copyright liegt bei der EVVA Sicherheitstechnologie GmbH.

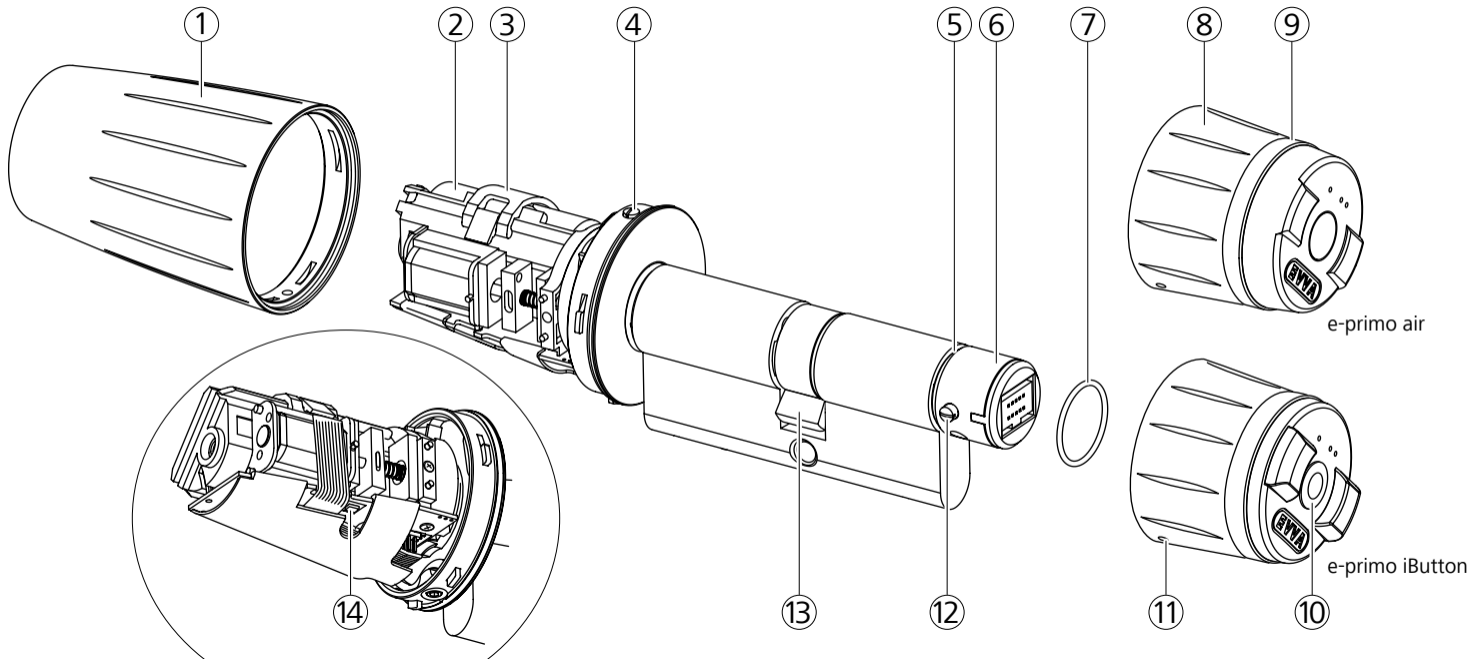
Technical changing and misprint are subject to change. Copyright by EVVA Sicherheitstechnologie GmbH.

Sous réserve de modifications/divergences techniques et d'erreurs d'impression. Tous droits réservés à EVVA Sicherheitstechnologie GmbH.

Con riserva di modifiche tecniche/differenze ed errori di stampa. Il copyright è di EVVA Sicherheitstechnologie GmbH.

Sujeto a modificaciones/divergencias técnicas y errores de impresión. Copyright de EVVA Sicherheitstechnologie GmbH.

Technische wijzigingen/afwijkingen en drukfouten voorbehouden. Copyright berust bij EVVA Sicherheitstechnologie GmbH.



Deutsch 6

English 20

Français 34

Italiano 48

Español 62

Nederlands 76

The e-primo cylinder in detail

- ① Thumb turn cover/inside thumb turn
- ② Battery in battery compartment
- ③ Battery clip
- ④ Inside locating screw
- ⑤ Groove
- ⑥ Outside thumb turn
- ⑦ Gasket
- ⑧ Outside thumb turn
- ⑨ Light ring
- ⑩ Reader
- ⑪ Fixing screw
- ⑫ Outside locating screw
- ⑬ Cam
- ⑭ INIT button

Technical data

Dimensions

Outside thumb turn (conical):

– e-primo iButton: Ø max. 35 mm, length 31 mm

– e-primo air: Ø max. 35 mm, length 32.5 mm

Inside thumb turn (conical): Ø max. 40 mm, length 56 mm

Power supply

1 × standard lithium battery, Panasonic CR 123A

Humidity

Up to 90 %, non-condensing

Temperature range

Inside thumb turn: –20° C to +60° C

Outside thumb turn: –20° C to +60° C

Protection class

IP 65

Certifications

– EN 1634-1 fire protection

– CE

– Diverse certifications with various lock manufacturers per EN 179 and EN 1125 (optional)

The components

Included in cylinder-package (A)

- e-primo cylinder
- gasket
- special Allen wrench, ZTOOL1
- lithium battery, CR123A
- cylinder fixing screw, M5x60
- user guide

Included in media-kit (B)

- programming key | PK (Programming Key)
- 3 x user key | UK (User Key)
- copy key | CK (Copy Key)
- 4 x delete key | DK (Delete Key)

Available options (C)

- cylinder fixing screw, M5x70
- cylinder fixing screw, M5x80
- office key | OK (Office Key)
- blocking key | BK (Blocking Key)
- emergency opening key | EK (Emergency Key)
- emergency power device (incl. 3-pole cable XRP0PC01 and 3 batteries, type AAA)

Battery

Use only the specified, CR123A, battery type and be sure of correct polarity when inserting a battery. Batteries contain chemical substances. They should therefore be disposed of properly.

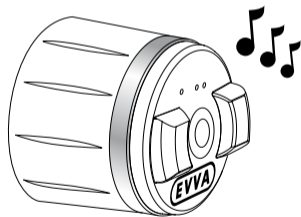
Weak battery

If the battery is weak, the e-primo cylinder will sound a descending warning tone and blink in orange twice before it can be activated.

Replace the battery without delay when the “weak battery” condition is indicated. Repeated disregard of the “weak battery” warning can lead to inoperability of the e-primo cylinder.

After the first “weak battery” warning only a maximum of 2000 opening cycles are possible over the next 4 weeks (tested for Panasonic CR123A at room temperature).

An e-primo cylinder with a completely discharged battery can only be operated with the emergency power device and a valid user key (see “Emergency power supply/Emergency opening”). Please contact your dealer if you do not have an emergency power device.



Battery insertion/replacement

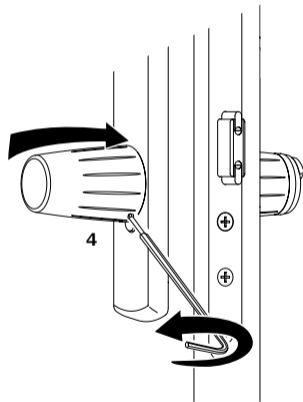
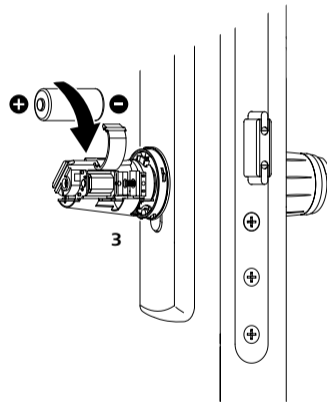
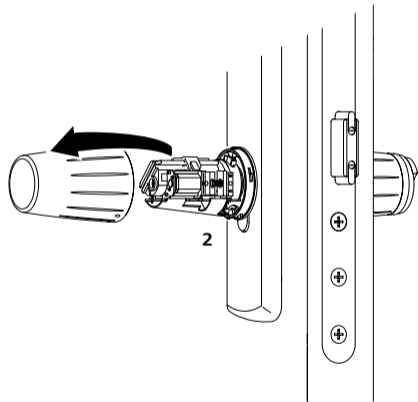
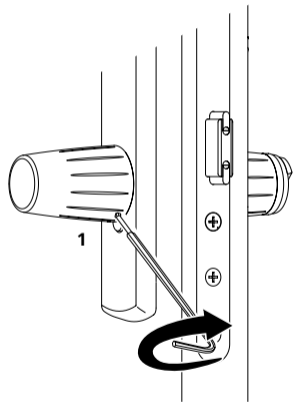
1 Loosen (turn clockwise) the inside thumb turn's fixing screw with the special ZTOOL1 Allen wrench until there is noticeable resistance.

2 Pull off the thumb turn cover.

Notice: Please note, when the inside thumb turn cover is removed the outside thumb turn can operate the cam even without electronic authorisation. Avoid contamination of the e-primo cylinder when the thumb turn cover is removed.

3 Open the battery clip and remove the discharged battery from the battery compartment. Insert the new battery and close the battery clip so that it latches.

4 Carefully push the thumb turn cover onto the e-primo cylinder. The inside locating screw must be engaged in the cover's guide groove. Secure the screw carefully (turn counter-clockwise) with the special ZTOOL1 Allen wrench.





Installing the e-primo cylinder

Please note that it may not be possible to open the door again after it is closed because the outside thumb turn will rotate passively, i.e. without engaging. After installation – but before closing the door – insert a battery (see “Battery insertion/replacement”), program the e-primo cylinder and test its functionality. The e-primo cylinder can now only be opened with a valid identification medium.

Should problems arise during installation, please contact your dealer or visit our website on the Internet at www.evva.com/e-primo

1 Loosen (turn clockwise) the outside thumb turn’s fixing screw with the special ZTOOL1 Allen wrench and pull it off.

2 Rotate the outside thumb turn such that the outer locating screw is in the area of the cylinder profile.

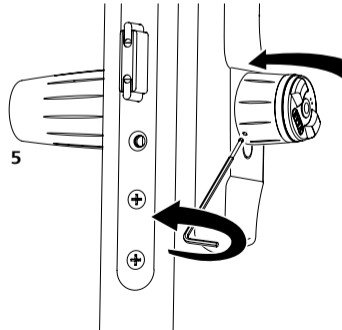
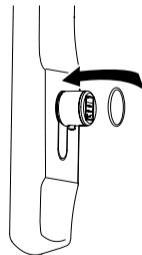
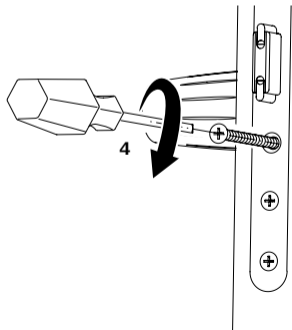
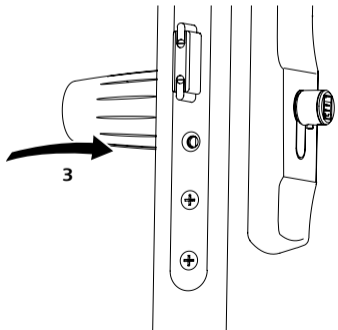
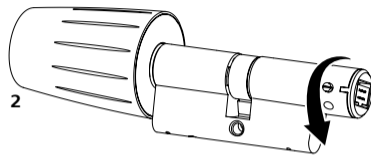
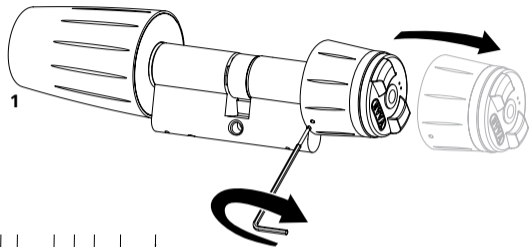
3 Push the e-primo cylinder by hand, from inside to outside, through the escutcheon and the mortise lock (loosen the escutcheon’s fastening screws if necessary).

4 Fasten the e-primo cylinder in the mortise lock with the cylinder fixing screw. The cylinder fixing screw should be tightened down to a torque of 2 Nm (now also re-tighten the escutcheon’s fastening screws if necessary). Place the gasket into the groove.

Notice: *The specified IP rating is only achieved when the gasket is in place.*

5 Carefully push the outside thumb turn cover to its limit onto the e-primo cylinder. The outer locating screw must be engaged in the guide groove. Fasten the outside thumb turn by carefully screwing in (turn counter-clockwise) its screw with the special ZTOOL1 Allen wrench.

Important: *Please assign a programming key and a user key to the cylinder and make sure a functional battery is inserted before closing the door!*





Technology & media

The e-primo cylinder is available in versions for iButton or air technology. User keys are therefore designed differently, depending on the technology.

At least one programming key and one user key are required to operate one or more e-primo cylinders.

Media functions

Programming key | PK (Programming Key)

The programming key is used to start and stop the programming procedure on the e-primo cylinder. It is also used to limit the INIT button's function to the owner of the programming key as well as to terminate the blocking and emergency opening functions. A single programming key can be used for multiple e-primo cylinders.

User key | UK (User Key)

The user key serves to lock and unlock the door, it is issued to the user. The user key can also be trained for additional functions, e.g. the office function.

Delete key | DK (Delete Key)

The delete key is used in programming mode to delete validation of a lost programming or user key from the e-primo cylinder's memory.

Copy key | CK (Copy Key)

The copy key is used in programming mode to start the copy process in which the data of a programming or user key is stored onto a delete key.

Office key | OK (Office Key) (available option)

The office key is used to train the user keys to the office function as well as to enable the office function globally on an e-primo cylinder. The office function permits continuous release of the e-primo cylinder (e.g. during office hours).

Blocking key | BK (Blocking Key) (available option)

The blocking key sets the e-primo cylinder into a continuous locked condition; it cannot be activated from outside. This function can only be terminated by the programming key or the emergency opening key. A single blocking key can be assigned to multiple e-primo cylinders but only one blocking key per e-primo cylinder is possible.

Emergency opening key | EK (Emergency Key) (available option)

The emergency opening key sets the e-primo cylinder to its emergency opening function (continuously open). This function can only be terminated by the programming key or the blocking key. A single emergency opening key can be assigned to multiple e-primo cylinders but only one emergency opening key per e-primo cylinder is possible.

Operation

Commissioning the e-primo cylinder

The e-primo cylinder is not programmed to media when delivered.

Assigning media

Assigning the programming key

- Hold the programming key briefly at the reader.
- A sequence of high-pitch tones will be emitted, the light ring blinks green. The e-primo cylinder now recognises this medium as its programming key.

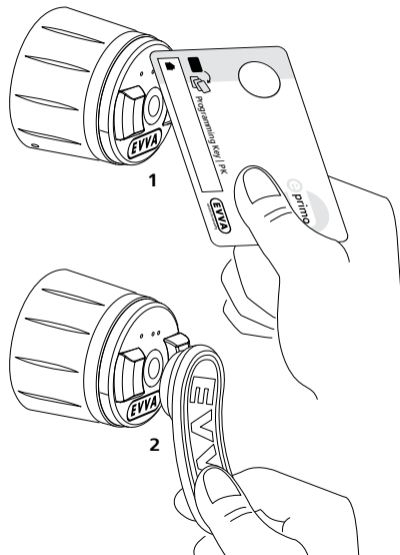
Notice: Please note that it may not be possible to open the door again after it is closed because the outside thumb turn will rotate passively, i.e. without engaging. The e-primo cylinder can only be operated after assignment of a programming key and a user key.

Assignment of user keys; programming mode

- 1** First hold the programming key briefly at the reader.
→ A sequence of low and high tones will be emitted, the light ring blinks orange then green. The e-primo cylinder is now in its programming mode for 7 seconds.
- 2** Hold the user key you want to train into the e-primo cylinder briefly at the reader within 7 seconds.
→ An ascending sequence of tones will be emitted, the light ring illuminates orange then green. The e-primo cylinder now recognises this user key as valid for locking and unlocking the e-primo cylinder.

You can also assign several user keys, one after the other, by holding each of them at the reader within 7 seconds.

- 3** Terminate programming mode by holding the programming key briefly at the reader or waiting for programming mode to terminate automatically.
→ A descending sequence of tones will be emitted, the light ring illuminates orange then red.



Creating delete keys

- 1 Start programming mode.
- 2 Hold the copy key briefly at the reader.
→ The light ring will blink orange.
- 3 Hold the programming or user key, for which a delete key is to be created, briefly at the reader within 5 seconds.
→ A high-pitched tone will be emitted, the light ring briefly illuminates green.
- 4 Hold the delete key briefly at the reader within 5 seconds.
→ A high-pitched tone will be emitted, the light ring will illuminate green. The delete key for the programming or user key is now created.

You can create multiple delete keys, one after the other, by repeating steps 3 and 4.

- 5 Terminate programming mode.

Notice: You should mark all delete keys appropriately for their corresponding keys so that when a delete key is needed the correct card is available for deleting. Delete keys should be safeguarded securely and separately from programming and user keys.

Please note that delete keys can only be assigned once to a programming or user key.

Deleting media

Deleting a lost user key

- 1 Start programming mode.
- 2 Hold the delete key for the lost user key briefly at the reader.
→ A descending sequence of tones will be emitted, the light ring illuminates orange then red. The lost user key is deleted from the cylinder's memory.
- 3 Terminate programming mode.

If the delete key is held at the reader during normal operation, the e-primo cylinder will indicate whether the lost user key is still valid (green) or not (red).

Deleting a user key which is on-hand

- 1 Start programming mode.
- 2 Hold the user key to be deleted (or multiple keys) briefly at the reader.
→ A descending sequence of tones will be emitted, the light ring illuminates orange then red. The user key is deleted from the cylinder's memory.
- 3 Terminate programming mode.

Deleting a lost programming key, assigning a new programming key

- 1 Start programming mode by holding the delete key for the lost programming key at the reader.
- 2 Hold the new programming key briefly at the reader within 5 seconds.
→ An ascending sequence of tones will be emitted, the light ring illuminates orange then green. The new programming key is now assigned and the old programming key is deleted from the memory.

If no new programming key is held at the reader within 5 seconds, the original programming key remains stored in

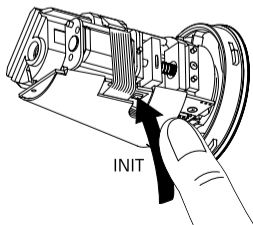
the cylinder's memory.

3 Terminate programming mode.

Even after assigning a new programming key, all user keys previously assigned to this e-primo cylinder retain their validity.

Resetting to factory settings

You can reset the e-primo cylinder to its factory settings so that all settings made, like assignments of media, blocking, office and emergency opening functions, are deleted from the cylinder's memory.



1 Loosen (turn clockwise) the inside thumb turn's fixing screw with the special ZTOOL1 Allen wrench and pull off the outside thumb turn.

2 Press the INIT button.

→ During the deletion process a sequence of tones will be emitted and the light ring will illuminate alternately in red, orange and green.

→ A higher pitched tone will be emitted, the light ring will illuminate orange. The e-primo cylinder's memory is now in its delivered state.

3 Fasten the inside thumb turn by carefully screwing in (counter-clockwise) its fixing screw with the special ZTOOL1 Allen wrench.

Notice: Please note that any person who has access to the ZTOOL1 Allen wrench is able to reset the e-primo cylinder back to its factory settings.

Be aware, after resetting to factory settings, media must again be assigned to the e-primi cylinder before you close the door.

Limiting the INIT button's function

To avoid misuse, the functionality of the INIT button can be limited to the owner of the programming key.

- Hold the programming key for about 5 seconds at the reader.
- A sequence of ascending tones will be emitted, the light ring blinks green. The e-primo cylinder can now only be reset to factory settings if the programming key is being held at the reader.

You can remove this limitation by holding the programming key at the reader again for 5 seconds.

Notice: Be sure that a delete key has been created for the programming key. Otherwise, if the programming key is lost, the e-primo cylinder must be returned to EVVA for restoration.

Supplementary functions (optional)

The following functions are available through the purchase of an appropriate medium.

Office function

The e-primo cylinder can be switched to continuous open operation, e.g. for office hours.

Global disable/enable of the office function

Continuous open operation functionality can be globally disabled or enabled for the e-primo cylinder. It is enabled by factory setting.

- 1 Start programming mode.
- 2 Hold the office key for at least 3 seconds at the reader.
→ A higher pitched tone will be emitted, the light ring will illuminate green.
→ After 3 seconds a descending tone will be emitted, the light ring blinks red. The e-primo cylinder's continuous open mode is now disabled.

You can globally enable the office function again by repeating this process.

Training user keys to the office function

- 1 Start programming mode.
- 2 Hold the office key briefly at the reader.
- 3 Hold the user key at the reader within 5 seconds.
→ An ascending sequence of tones will be emitted, the light ring illuminates orange then green. The user key is now entitled to use the office function.
- 4 Terminate programming mode.

You can train multiple user keys to the office function, one after the other, by repeating step 3.

You can revoke office function entitlement for a user key by repeating this process.

This process also simultaneously assigns any user key to the cylinder if it was not already assigned previously – therefore the step "Assignment of user keys" can be waived.

Office function via user key

- Hold the entitled user key at the reader for at least 3 seconds, when the outside thumb turn is disengaged.
→ A sequence of ascending tones will be emitted, the light ring blinks green. The e-primo cylinder will be unlocked and is now in continuous open mode.

You can deactivate continuous open mode by repeating this process.

If the office function is globally disabled, continuous open mode cannot be activated with a user key.

Blocking function

The e-primo cylinder can be continuously blocked with a blocking key, e.g. to lock up in case of a criminal act. User keys are inoperable when blocking mode is set.

A single blocking key can be assigned to multiple e-primo cylinders, but only one blocking key per e-primo cylinder is possible.

Notice: The blocking key must be assigned in the same manner as a user key before it is functional (see "Assignment of user keys").

Activating the blocking function

- Hold the assigned blocking key at the reader.
- A descending sequence of tones will be emitted, the light ring illuminates red. The blocking function is activated.

Deactivating the blocking function

- Hold the programming key at the reader.

Notice: An assigned emergency opening key can directly switch the e-primo cylinder from blocking mode into emergency opening mode.

Emergency opening function

The e-primo cylinder can be permanently opened with an emergency opening key, e.g. in the event of fire. User keys are inoperable when emergency opening mode is set.

A single emergency opening key can be assigned to multiple e-primo cylinders but, only one emergency opening key per e-primo cylinder is possible.

Notice: The emergency opening key must be assigned in the same manner as a user key before it is functional (see "Assignment of user keys").

Activating the emergency opening function

- Hold the assigned emergency opening key at the reader.
- A sequence of ascending tones will be emitted, the light ring illuminates green. Emergency opening mode is activated.

Deactivating the emergency opening function

- Hold the programming key at the reader.

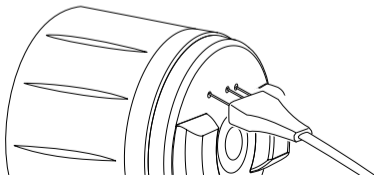
Notice: An assigned blocking key can directly switch the e-primo cylinder from emergency opening mode into blocking mode.

Emergency power supply (optional)

Emergency opening

- 1 Be sure batteries are inserted in the emergency power device – pay attention to correct polarity.
- 2 Plug the 3-pole cable XRP0PC01 into the emergency power device, then carefully plug it into the outside thumb turn.
- 3 Slide the switch to “ON” to turn on the emergency power device.
- 4 To open the door, activate the e-primo cylinder with a valid medium as usual.

Notice: After this emergency opening process, please replace the e-primo cylinder's battery without delay.



Usage notices

To ensure proper functionality of the e-primo cylinder, EVVA recommends it be used in combination with a mortise lock in good operating condition.

Use of the e-primo cylinder in emergency exit doors or panic doors conforming to EN 179 or EN 1125 is dependent on approval by the lock's manufacturer.

Please use only the special ZTOOL1 Allen wrench to install the e-primo cylinder.

EVVA's guarantee does not cover product defects caused by repairs, modifications or unprofessional servicing carried out by unauthorised persons. Intervention in the electrical or mechanical elements of the e-primo cylinder by unauthorised persons also voids the guarantee.

Care of the e-primo cylinder

Use a soft, lint-free cloth and soapy water for cleaning. Never use products or sprays which can be aggressive to metal surfaces. Pay attention, particularly when a turn's cover is removed, that no liquid gets into the e-primo cylinder.

Media handling

All media are to be continuously safeguarded such that they are only accessible to authorised persons. Delete keys should be safeguarded separately from programming and user keys.

When a medium is lost, it should be deleted from the cylinder's memory without delay (see "Deleting media").

Misuse

The thumb turn may not be turned with pliers.

Opening may not be affected with tools or other contrivances.

The e-primo cylinder also has plastic parts which could be broken by rough handling (e.g. hammering) during installation.

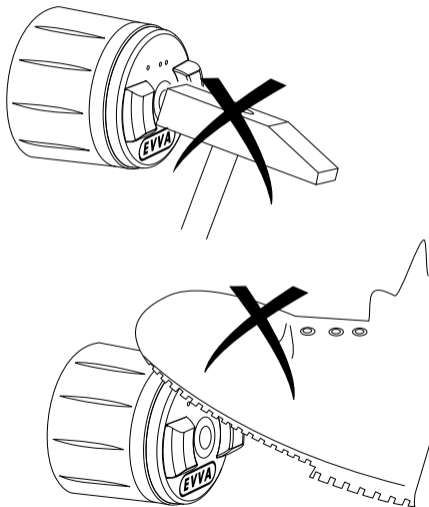
The cylinder's thumb turn is not intended as an object to move the door leaf (as would be the door's knob, push-bar, handle, etc).

When the outside thumb turn is engaged, the inside thumb turn may not be held in place to prevent the locking/unlocking process.

Avoid contamination when the thumb turn cover is removed, particularly by contact with greases, acids, moisture or external voltage sources.

Do not try to open the door by applying an external voltage source to the outside thumb turn.

The thumb turns may not be used as a means to step up.



What to do when ...

... the outside thumb turn is loose?

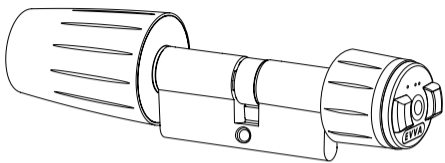
- tighten the fixing screw with ZTOOL1

... the e-primo cylinder does not open?

- replace discharged battery
- perform emergency opening with the emergency power device
- clean the reader
- send it to EVVA

If you need help, please contact your dealer or visit our website on the Internet at www.evva.com/e-primo

A



ZTOOL1



CR 123A

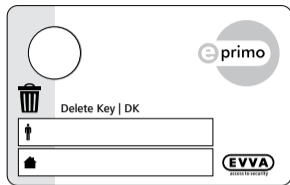


M5x60



UK iButton

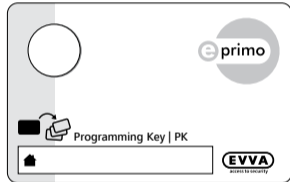
B



Delete Key | DK

e primo

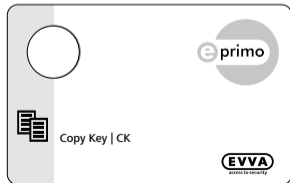
EVVA
access to security



Programming Key | PK

e primo

EVVA
access to security

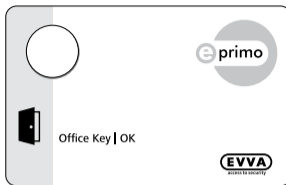


Copy Key | CK

e primo

EVVA
access to security

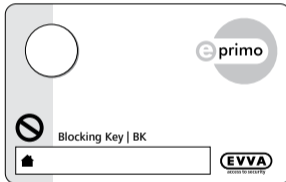
C



Office Key | OK

e primo

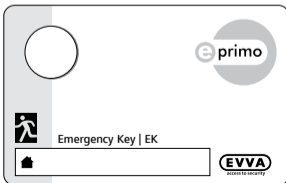
EVVA
access to security



Blocking Key | BK

e primo

EVVA
access to security



Emergency Key | EK

e primo

EVVA
access to security



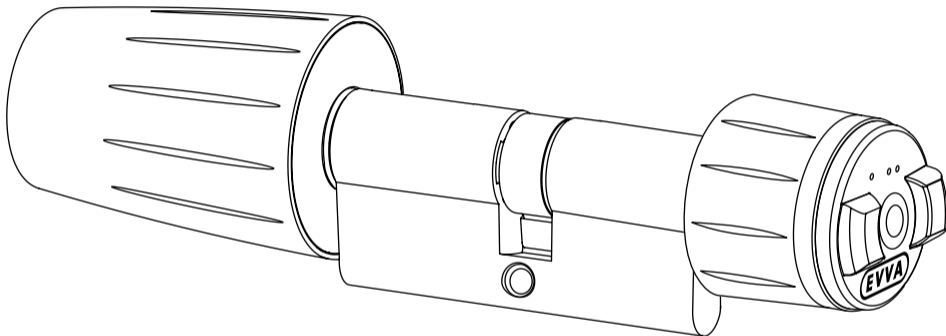
M5x70



M5x80



XRP0PC01



www.evva.com/e-primo

